

SOLENOID VALVE PILOT OPERATED 2/2 WAY N.C. SERIE86

GENERAL FEATURES



- Minimum differential working pressure: 0,3 Bar.
- Parts in contact with the fluid sealing:
 - NBR on request FPM - EPDM
 - EPFM-KTW sealing approved and DVGW certifies for interception of potable water.
- Body: BRASS.
- Stainless steel tube guide:
 - Metallic sealing with the body for safety sealing also for high temperature applications.
 - Improved corrosion resistance.
- Internal parts: Stainless steel.
- Fluids: air, water, light oils.
- One way direction valve.
- Serviceable valve.
- Valve supplied with mounting position:
 - Three pole plug connector UNI ISO 4400 (DIN 43650A) - IP65.
 - Any, the position with the coil downwards is not recommended.

- Ambient temperature: 80°C in D.C. for temperatures higher than 40°C, the performances (M.O.P.D.) could decrease.

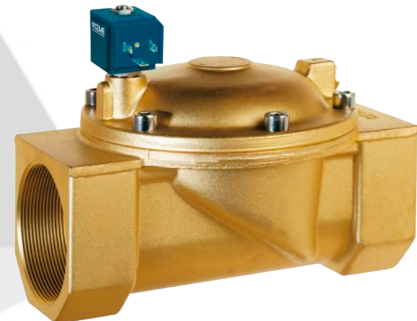
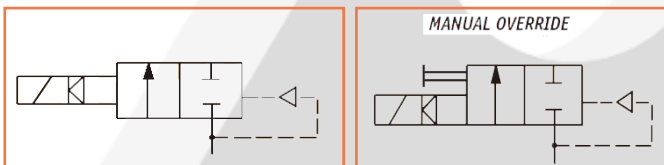
- Special executions:

Version with water hammer device for slower closing time.

Version with manual override (available for models 8616-8617-8618-8619-8620-8621).

Version with reinforced diaphragm for high pressure use and high frequency applications (available for models 6815-8616-8617-8618-8619).

Version with KTW homologation.



KTW

REF: VN402_052021_REV0

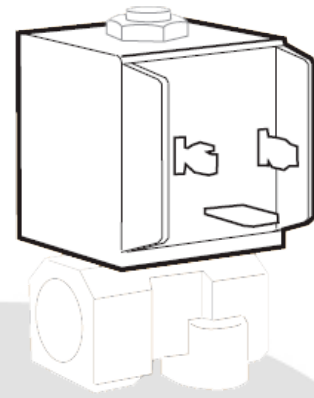
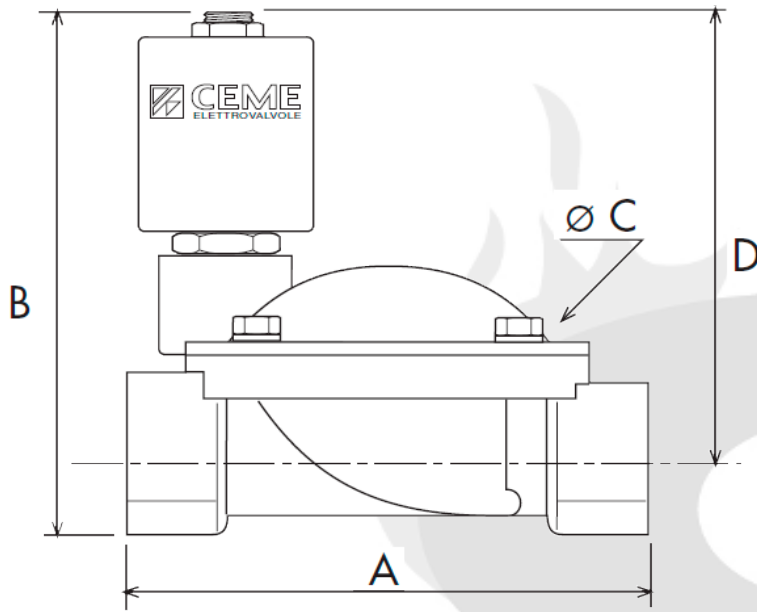
AQL PROTECCION

Carretera N-340 Km 1245, 3 Nave B-5 Polígono industrial El Pla 08750 Molins de Rei, Barcelona (España)
Tel. (+34) 936800376 * Whatsap pedidos: 660781482 * www.aqlproteccion.com * aql@aqlproteccion.com

ANBER

Avda. de las Flores, 13-15 P.E. El Molino 28970 Humanes de Madrid, Madrid (España)
Tel. (+34)916063711 * Whatsap pedidos: 649787619 * www.anber.es * anber@anber.es

SPECIFICATIONS



BOBINA TIPO B6

DIMENSIONS

PIPE in -> out	Ø mm	CODE	KV m ³ /h	M.O.P.D. bar		DIMENSIONS mm				WEIGHT kg
				AC	DC	A	B	C	D	
G 3/8	10	8613	1.86	10	10	61	89	48	77	0.540
G 1/2	12	8614	2.10	10	10	61	89	48	77	0.500
G 3/4	20	8615	5.70	10	10	87	101	69	84	0.800
G 1	25	8616	9.60	10	10	100	106	80	86	1.100
G 1 1/4	32	8617	22.00	10	10	131	122	112	95	2.500
G 1 1/2	39	8618	27.00	10	10	146	128	128	98	3.000
G 2	51	8619	35.00	10	10	174	145	146	108	4.600
G 2 1/2	65	8620	63.00	10	10	245	180	184	134	9.400
G 3	75	8621	83.00	10	10	250	190	184	139	11.230
3/8 NPT	12	8623	2.10	10	10	61	89	48	77	0.540
1/2 NPT	12	8624	2.10	10	10	69	89	48	77	0.510
3/4 NPT	20	8625	5.70	10	10	87	101	69	84	0.800
1 NPT	25	8626	9.60	10	10	108	106	80	86	1.130

REF: VN402_052021_REV0

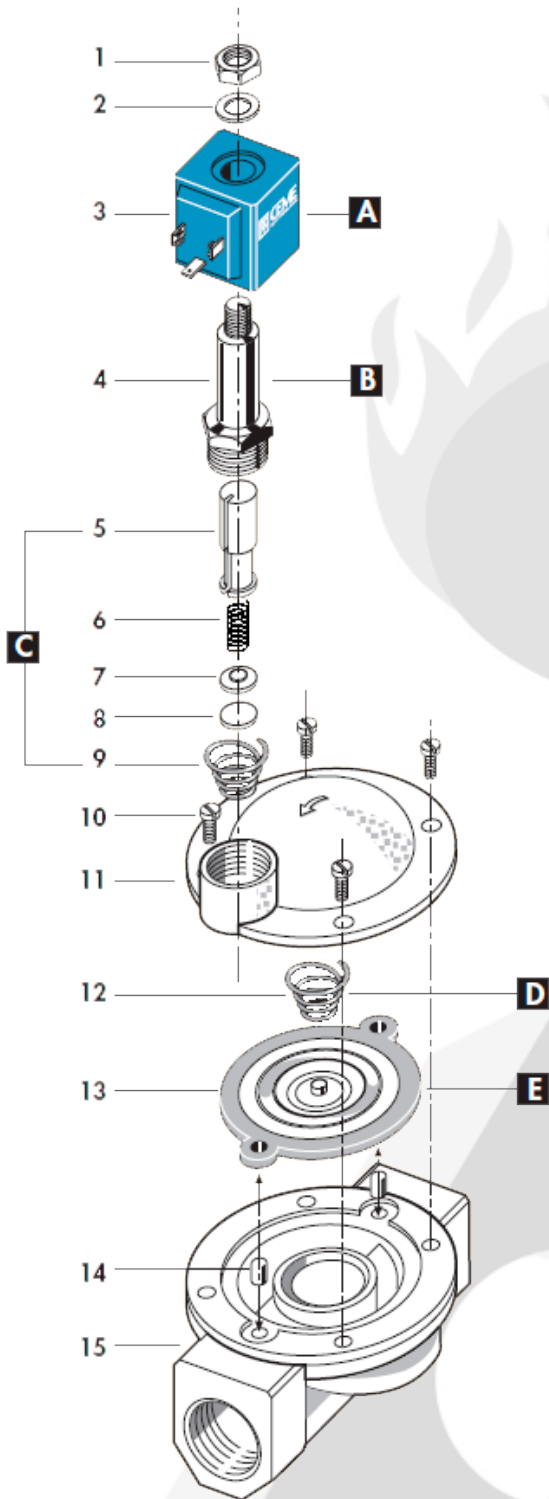
AQL PROTECCION

Carretera N-340 Km 1245, 3 Nave B-5 Polígono industrial El Pla 08750 Molins de Rei, Barcelona (España)
Tel. (+34) 936800376 * Whatsap pedidos: 660781482 * www.aqlproteccion.com * aql@aqlproteccion.com

ANBER

Avda. de las Flores, 13-15 P.E. El Molino 28970 Humanes de Madrid, Madrid (España)
Tel. (+34)916063711 * Whatsap pedidos: 649787619 * www.anber.es * anber@anber.es

PARTS OF THE SOLENOID VALVE



Nº	PIECE
1	Lock nut
2	Washer
3	Coil
4	Tube guide
5	Plunger
6	Spring
7	Support
8	Seal
9	Spring
10	Screw
11	Valve body top
12	Spring
13	Diaphragm
14	Bush
15	Valve body base

SPARE PARTS	
A	Coil
B	Tube guide
C	Plunger
D	Spring
E	Diaphragm

REF: VN402_052021_REV0

AQL PROTECCION

Carretera N-340 Km 1245, 3 Nave B-5 Polígono industrial El Pla 08750 Molins de Rei, Barcelona (España)
Tel. (+34) 936800376 * Whatsap pedidos: 660781482 * www.aqlproteccion.com * aql@aqlproteccion.com

ANBER

Avda. de las Flores, 13-15 P.E. El Molino 28970 Humanes de Madrid, Madrid (España)
Tel. (+34)916063711 * Whatsap pedidos: 649787619 * www.anber.es * anber@anber.es

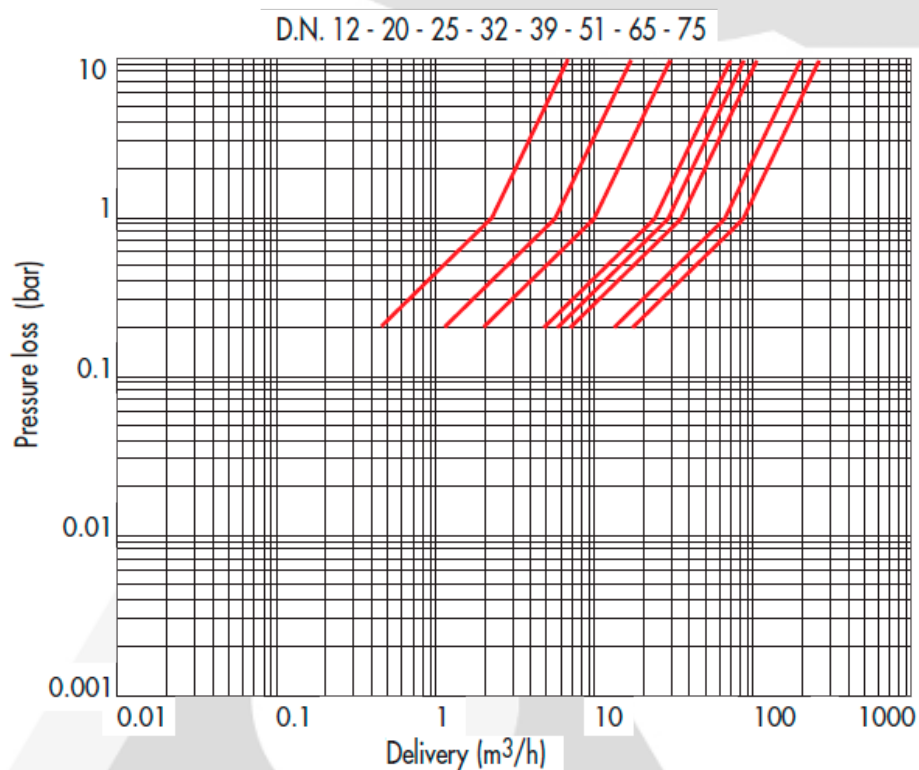
ELECTRICAL INFORMATION

									POWER		
									Holding	In rush	
V ~	12	24	48	110	230	400	50	60	Hz	11VA	24VA
V =	12	24	48	110					16W		

MAX TEMPERATURE

FLUIDS				AMBIENT
NBR	EPDM	EPDM - KTW	FPM	80 °C
90 °C	130 °C	130 °C	150 °C	

PRESSURE LOSS DIAGRAM



REF: VN402_052021_REVO

AQL PROTECCION

Carretera N-340 Km 1245, 3 Nave B-5 Polígono industrial El Pla 08750 Molins de Rei, Barcelona (España)
Tel. (+34) 936800376 * Whatsap pedidos: 660781482 * www.aqlproteccion.com * aql@aqlproteccion.com

ANBER

Avda. de las Flores, 13-15 P.E. El Molino 28970 Humanes de Madrid, Madrid (España)
Tel. (+34)916063711 * Whatsap pedidos: 649787619 * www.anber.es * anber@anber.es