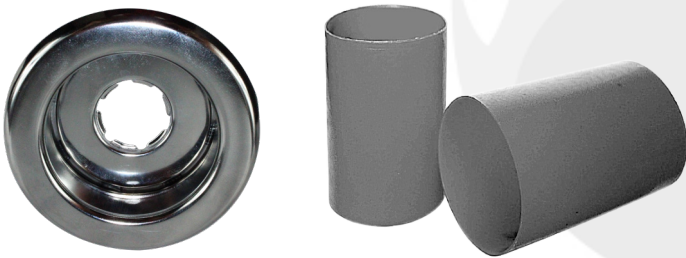


TWO-PIECE RECESSED ESCUTCHEONS AND PROTECTIVE PAINT CAPS FOR AUTOMATIC SPRINKLER RECESSED INSTALLATION



The style 10, 15, 20, 30, 40, 50, and 70 recessed escutcheons are designed for recessed installation with certain pendent and horizontal sidewall sprinklers. They are intended for use in areas with finished ceilings or walls, and the adjustment provided by these escutcheons reduces the

accuracy to which fixed piping to the sprinklers must be cut, while providing a decorative recessed sprinkler installation.

Each two-piece escutcheon style provides for recessed sprinkler installations having total adjustments from the flush position as follows:

Style	Thread Size inch NPT	Total Adjustment (mm)
10	1/2"	19,1
15	1/2"	15,9
20	1/2"	12,7
30	3/4"	12,7

Style	Thread Size inch NPT	Total Adjustment (mm)
40	3/4"	19,1
50	1/2"	9,5
70 *	3/8"	19,1

The style 10, 15, 20, 30, 40 and 50 recessed escutcheons are redesignations for Central, Gem and Star brands as follows:

Style	Central	Gem	Star
10	3211	F700 (1/2" in.)	2085
20	3221	F705 (1/2" in.)	2084
30	4221	F705 (3/4" in.)	2088

Style	Central	Gem	Star
40	4211	F700 (3/4" in.)	2088
50	307X	-	-

Note: The style 15 and 70 recessed escutcheons are not redesignated from any of the brands listed.

Install protective paint caps to help protect the sprinklers while finishing ceilings or walls as seen in figures 8 and 9. Protective paint Caps are ordered separately. The model Z-392 is suitable for use with the style 10, 15, 20, 30, 40 or 70 recessed escutcheons. The model Z-84 is suitable for use with style 50 recessed escutcheon only.

Notice: The recessed Escutcheons described herein must be installed and maintained in compliance with this document, as well as with the applicable standards of the National Fire Protection Association (NFPA), in addition to the standards of any authorities having jurisdiction, such as FM Global. Failure to do so may impair the performance of these devices.

REF: SET_082022_REV0

AQL PROTECCION

Carretera N-340 Km 1245, 3 Nave B-5 Polígono industrial El Pla 08750 Molins de Rei, Barcelona (España)
Tel. (+34) 936800376 * WhatsApp pedidos: 660781482 * www.aqlproteccion.com * aql@aqlproteccion.com

ANBER

Avda. de las Flores, 13-15 P.E. El Molino 28970 Humanes de Madrid, Madrid (España)
Tel. (+34) 916063711 * WhatsApp pedidos: 649787619 * www.anber.es * anber@anber.es

The owner is responsible for maintaining their fire protection system and devices in proper operating condition. Contact the installing contractor or product manufacturer with any questions.

In all cases, the appropriate NFPA or FM Global, installation standard, or other applicable standard, must be referenced to ensure applicability and to obtain complete installation guidelines. The general guidelines in the data sheet are not intended to provide complete installation criteria.

TECHNICAL DATA

Approvals:

Approval information, as applicable, for the Style 10, 15, 20, 30, 40, 50 and 70 Recessed Escutcheons is detailed in individual pendent and horizontal sidewall sprinkler data sheets that include details of recessed installation.

Materials and Finishes:

Carbon steel chrome plated, white or black coated, or brass plated. Series 300 stainless steel white coated or plain unpolished. Other colors are available on special request.

Figure 1 - Style 10 Recessed escutcheon, 1/2" NPT - 3/4" adjustment.

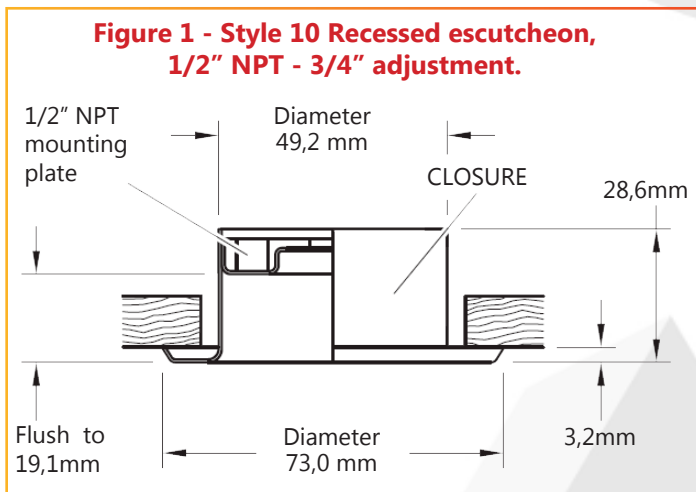


Figure 2 - Style 15 Recessed escutcheon, 1/2" NPT - 5/8" adjustment.

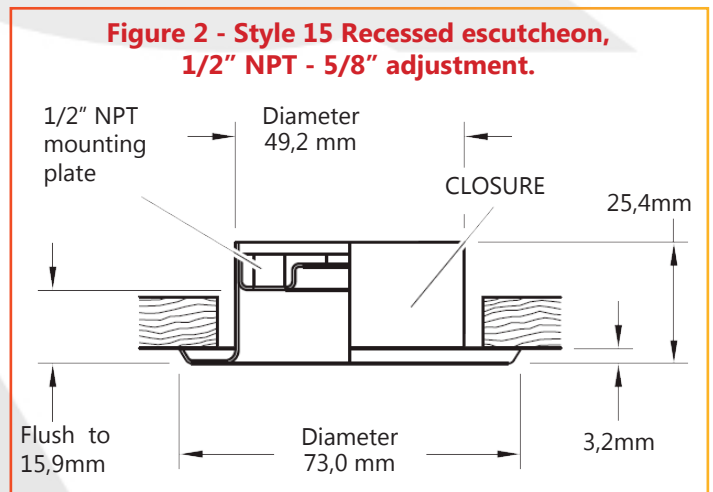


Figure 3 - Style 20 Recessed escutcheon, 1/2" NPT - 1/2" adjustment.

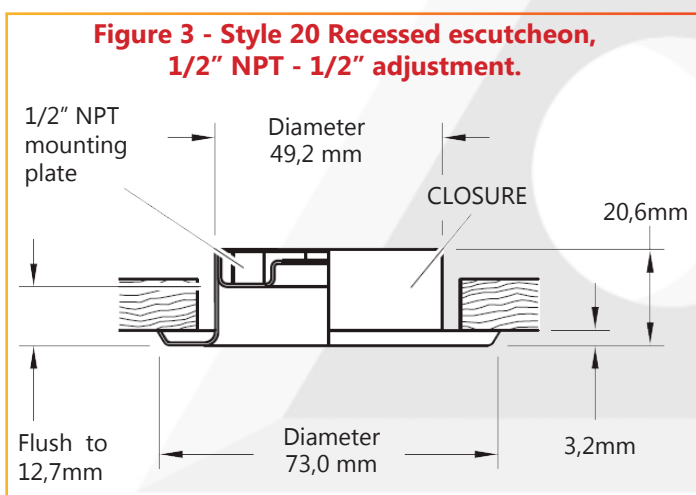
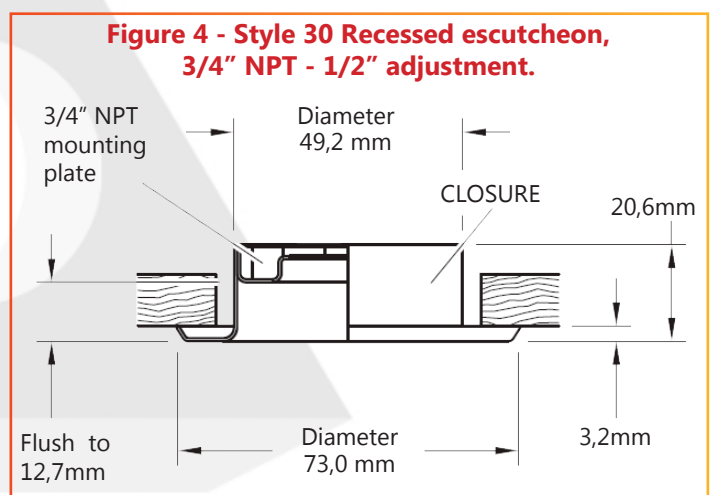


Figure 4 - Style 30 Recessed escutcheon, 3/4" NPT - 1/2" adjustment.



REF: SET_082022_REV0

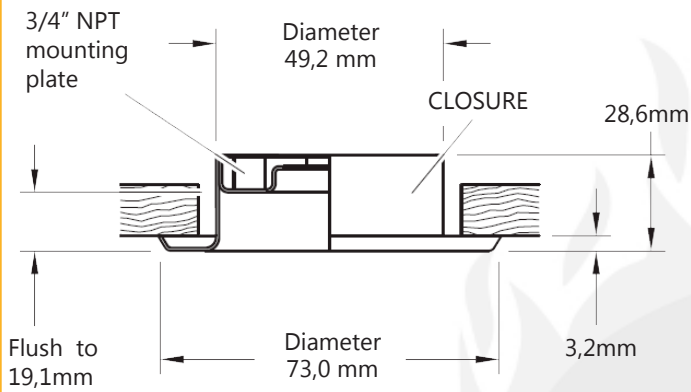
AQL PROTECCION

Carretera N-340 Km 1245, 3 Nave B-5 Polígono industrial El Pla 08750 Molins de Rei, Barcelona (España)
Tel. (+34) 936800376 * WhatsApp pedidos: 660781482 * www.aqlproteccion.com * aql@aqlproteccion.com

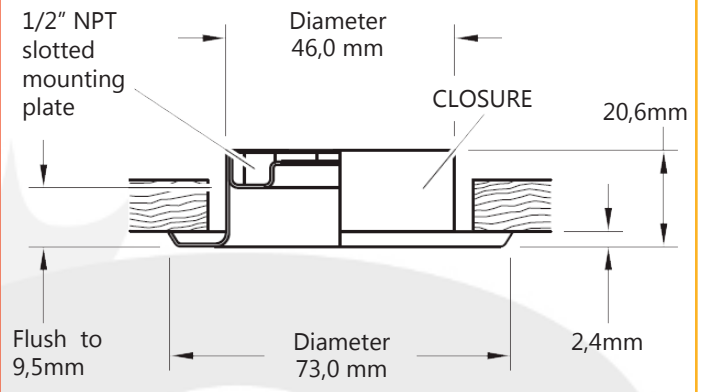
ANBER

Avda. de las Flores, 13-15 P.E. El Molino 28970 Humanes de Madrid, Madrid (España)
Tel. (+34) 916063711 * WhatsApp pedidos: 649787619 * www.anber.es * anber@anber.es

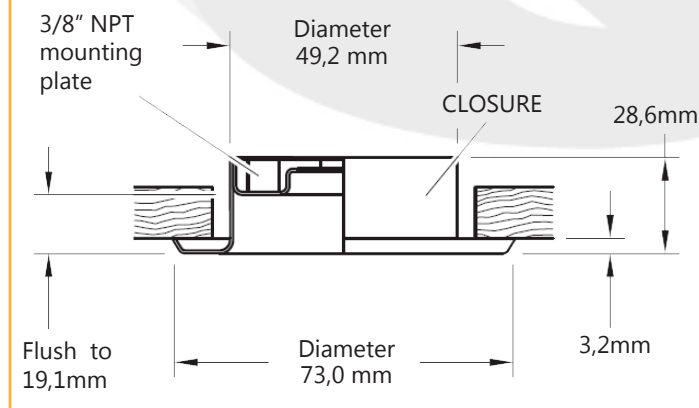
**Figure 5 - Style 40 Recessed escutcheon,
3/4" NPT - 3/4" adjustment.**



**Figure 6 - Style 50 Recessed escutcheon,
1/2" NPT - 3/8" adjustment.**



**Figure 7 - Style 70 Recessed escutcheon,
3/8" NPT - 3/4" adjustment.**



RECESSED ESCUTCHEON INSTALLATION

Installation information for the style 10, 15, 20, 30, 40, 50 and 70 recessed escutcheons is provided in individual pendent and horizontal sidewall sprinkler data sheets, as applicable. These data sheets also include details of recessed sprinkler installations.

Note: the style 10, 15, 20, 30, 40, 50 and 70 recessed Escutcheons must only be used with the sprinklers for which they have been specifically laboratory approved by UL, C-UL, ULC or FM.

REF: SET_082022_REVO

AQL PROTECCION

Carretera N-340 Km 1245, 3 Nave B-5 Polígono industrial El Pla 08750 Molins de Rei, Barcelona (España)
Tel. (+34) 936800376 * WhatsApp pedidos: 660781482 * www.aqlproteccion.com * aql@aqlproteccion.com

ANBER

Avda. de las Flores, 13-15 P.E. El Molino 28970 Humanes de Madrid, Madrid (España)
Tel. (+34) 916063711 * WhatsApp pedidos: 649787619 * www.anber.es * anber@anber.es

Figure 8 - Model Z-392 protective paint cap for use with style 10, 15, 20, 30, 40 or 70 recessed escutcheons.

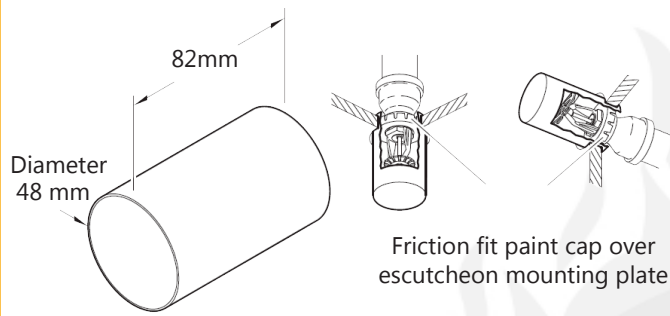
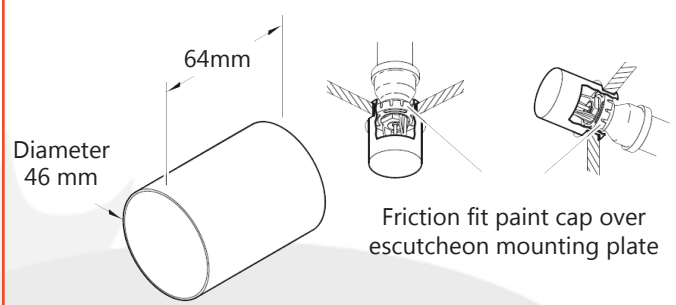


Figure 9 - Model Z-84 protective paint cap for use with style 50 recessed escutcheon.



PROTECTIVE PAINT CAP INSTALLATION

With reference to Figure 8 and 9, push the protective paint cap over the mounting plate of the recessed escutcheon in lieu of the closure.

After the ceiling or wall finish is complete, remove the protective paint cap and install the closure.

The protective paint cap may be discarded as a plastic commodity or low density polyethylene Recycling category 4, in conformance with local regulations. Alternatively, the protective paint cap may be reused.

Note: the sprinkler cannot operate properly with the protective paint cap in place.

CARE AND MAINTENANCE

Specific requirements of the NFPA must be performed, and any impairment must be immediately corrected.

Absence of an escutcheon to cover a clearance hole can delay the sprinkler operation in a fire situation.

The owner is responsible for the inspection, testing, and maintenance of their fire protection system and devices in compliance with this document, as well as with the applicable standards of the NFPA, such as NFPA 25, in addition to the standards of any authority having jurisdiction. Contact the installing contractor or product manufacturer with any questions.

Automatic sprinkler systems should be inspected, tested, and maintained by a qualified inspection service in accordance with local requirements and/or national codes.

REF: SET_082022_REVO

AQL PROTECCION

Carretera N-340 Km 1245, 3 Nave B-5 Polígono industrial El Pla 08750 Molins de Rei, Barcelona (España)
Tel. (+34) 936800376 * WhatsApp pedidos: 660781482 * www.aqlproteccion.com * aql@aqlproteccion.com

ANBER

Avda. de las Flores, 13-15 P.E. El Molino 28970 Humanes de Madrid, Madrid (España)
Tel. (+34) 916063711 * WhatsApp pedidos: 649787619 * www.anber.es * anber@anber.es

ORDERING PROCEDURE

Contact your local distributor for availability. When placing an order, indicate the full product name and part number (P/N).

Protective Paint Cap:

Specify: style (specify) protective paint cap, P/N (specify).

Model Z-84 56-711-7-084

Model Z-392 92-000-0-412

Recessed Escutcheon:

Specify: style (specify) recessed escutcheon, (specify carbon steel or stainless steel), (specify) finish, P/N (specify):

Carbon Steel:

Style 10: 1/2" NPT (15mm), 3/4" (19,1mm) total adjustment: Style 70: 3/8" NPT (10mm), 3/4" (9,1mm) total adjustment:

Brass Plated 56-701-2-010

Pure White (RAL9010*) 56-701-3-010

Signal White (RAL9003) 56-701-4-010

Jet Black (RAL9005) 56-701-6-010

Chrome Plated 56-701-9-010

For use with TY-B and TY-FRB 10mm orifice sprinklers only.

ANZ only:

Signal White (RAL9003) ECPL2PW10

Chrome Plated ECPL2PC10

Brass ECPL2PB10

Jet Black (RAL9005) ECPL2PBL10

EMEA only:

Pure White (RAL9010*) ESCSTDRA10

Signal White (RAL9003) ESCSTDWH10

Chrome Plated ESCSTDCH10

Brass ESCSTDBR10

Jet Black (RAL9005) ESCSTDJB10

Style 15: 1/2" NPT (15mm), 5/8" (15,9mm) total adjustment:

Brass Plated 56-715-2-010

Pure White (RAL9010*) 56-715-3-010

Signal White (RAL9003) 56-715-4-010

Jet Black (RAL9005) 56-715-6-010

Chrome Plated 56-715-9-010

Stainless Steel:

Style 10: 1/2" NPT (15mm), 3/4" (19,1mm) total adjustment:

Signal White (RAL9003) 56-701-0-010

Plain Unpolished 56-701-1-010

Grey Aluminum (RAL9007) 56-701-7-010

Style 15: 1/2" NPT (15mm), 5/8" (15,9mm) total adjustment:

Signal White (RAL9003) 56-715-0-010

Style 20: 1/2" NPT (15mm), 1/2" (12,7mm) total adjustment:

Signal White (RAL9003) 56-705-0-010

Plain Unpolished 56-705-1-010

Style 30: 3/4" NPT (20mm), 1/2" (12,7mm) total adjustment:

Signal White (RAL9003) 56-705-0-011

Plain Unpolished 56-705-1-011

Style 40: 3/4" NPT (20mm), 3/4" (19,1mm) total adjustment:

Signal White (RAL9003) 56-700-0-010

Plain Unpolished 56-700-1-010

Grey Aluminum (RAL9007) 56-700-7-010

Style 50: 1/2" NPT (15mm), 3/8" (9,5mm) total adjustment:

Signal White (RAL9003) 56-711-0-010

Plain Unpolished 56-711-1-010

Style 70: 3/8" NPT (10mm), 3/4" (9,1mm) total adjustment:

For use with TY-B and TY-FRB 10mm orifice sprinklers only.

ANZ only:

Plain Unpolished ECPL2PS10

EMEA only:

Plain Unpolished ESCSTDSS10

Style 20: 1/2" NPT (15mm), 1/2" (12,7mm) total adjustment:

Brass Plated 56-705-2-010

Pure White (RAL9010*) 56-705-3-010

Signal White (RAL9003) 56-705-4-010

Jet Black (RAL9005) 56-705-6-010

Chrome Plated 56-705-9-010

Style 30: 3/4" NPT (20mm), 1/2" (12,7mm) total adjustment:

Brass Plated 56-705-2-011

Pure White (RAL9010*) 56-705-3-011

Signal White (RAL9003) 56-705-4-011

Jet Black (RAL9005) 56-705-6-011

Chrome Plated 56-705-9-011

Style 40: 3/4" NPT (20mm), 3/4" (19,1mm) total adjustment:

Brass Plated 56-700-2-010

Pure White (RAL9010*) 56-700-3-010

Signal White (RAL9003) 56-700-4-010

Jet Black (RAL9005) 56-700-6-010

Chrome Plated 56-700-9-010

Style 50: 1/2" NPT (15mm), 3/8" (9,5mm) total adjustment:

Brass Plated 56-711-2-010

Pure White (RAL9010*) 56-711-3-010

Signal White (RAL9003) 56-711-4-010

Chrome Plated 56-711-9-010

* Eastern Hemisphere sales only.

REF: SET_082022_REVO

AQL PROTECCION

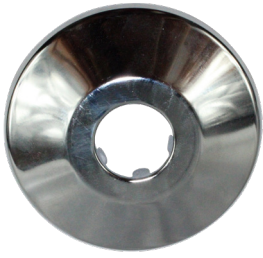
Carretera N-340 Km 1245, 3 Nave B-5 Polígono industrial El Pla 08750 Molins de Rei, Barcelona (España)
Tel. (+34) 936800376 * WhatsApp pedidos: 660781482 * www.aqlproteccion.com * aql@aqlproteccion.com

ANBER

Avda. de las Flores, 13-15 P.E. El Molino 28970 Humanes de Madrid, Madrid (España)
Tel. (+34) 916063711 * WhatsApp pedidos: 649787619 * www.anber.es * anber@anber.es

STYLE 65 ONE-PIECE FLUSH ESCUTCHEON

STYLE 401 TWO-PIECE DEEP ESCUTCHEON 1/2" AND 3/4" NPT



Style 65
One-piece escutcheon



Style 401

Two-piece escutcheon

The styles 65 and 401 escutcheon plates illustrated in figures 1 and 2 are designed for use with pendent and horizontal sidewall automatic sprinklers in fire protection systems where the piping is installed above a ceiling or behind a wall. They are used to improve the overwall appearance of the installation by concealing the clearance holes required for the connecting piping and fittings to the sprinkler.

The escutcheon plates are available in two styles: style 65 flush one-piece (non-adjustable) and style 401 deep two-piece (adjustable).

The flush one-piece (non-adjustable) style 65 escutcheon plates (fig. 1) are used where the position of the sprinkler "escutcheon plate seating surface" (relative to the ceiling line or wall) can be fixed by adjusting the length of the interconnecting piping.

The two-piece style 401 escutcheon plates (fig. 2) are used where it is necessary to position the sprinkler away from the ceiling/wall surface so that spray will not be adversely affected by protruding obstructions such as light fixtures and HVAC diffusers.

The adjustment provided by the style 401 escutcheon plates reduces the accuracy to which the length of the fixed pipe drops or horizontal pipe runs to the sprinklers must be cut, and it provides additional flexibility in the interconnecting pipe.

The separable, two-piece design of the style 401 allows installation of the sprinklers and pressure testing of the fire protection system/evaluation of leak tightness prior to installation of a suspended ceiling or application of the finish coating to a fixed ceiling. They also permit removal of suspended ceiling panels, for access to building service equipment, without having to first shut down the fire protection system and remove sprinklers.

Notice: The style 65 or 401 escutcheons described herein must be installed and maintained in compliance with this document, as well as with the applicable standards of the National Fire Protection Association, in addition to the standards of any other authorities having jurisdiction. Failure to do so may impair the performance of these devices.

The owner is responsible for maintaining their fire protection system and devices in proper operating condition. Contact the installing contractor or product manufacturer with any questions.

REF: SET_082022_REV0

AQL PROTECCION

Carretera N-340 Km 1245, 3 Nave B-5 Polígono industrial El Pla 08750 Molins de Rei, Barcelona (España)
Tel. (+34) 936800376 * WhatsApp pedidos: 660781482 * www.aqlproteccion.com * aql@aqlproteccion.com

ANBER

Avda. de las Flores, 13-15 P.E. El Molino 28970 Humanes de Madrid, Madrid (España)
Tel. (+34) 916063711 * WhatsApp pedidos: 649787619 * www.anber.es * anber@anber.es

Approvals:

With reference to NFPA 13, listings/approvals are not required for metallic escutcheons used for non-recessed applications.

Finishes:

Chrome, Signal white or Brass.

Material:

Carbon steel.

INSTALLATION

The styles 65 and 401 escutcheon plates must be installed in accordance with this section.

General instructions:

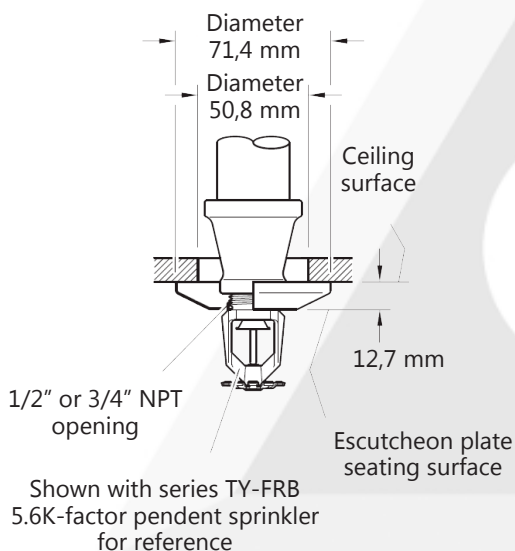
A leak-tight 1/2" NPT sprinkler joint should be obtained with a torque of a 7 to 14ft-lb and 10 to 20ft-lb should be sufficient for 3/4" NPT sprinkler. Higher levels of torque may distort the sprinkler orifice seat with consequent leakage.

Do not attempt to make-up for insufficient adjustment in an escutcheon plate by under- or over-tightening the sprinkler fitting to suit.

Style 65:

The pipe connected to the sprinkler fitting must be cut so that the escutcheon plate seating surface is at the proper nominal distance in front of the wall or below the ceiling. Manufacturing variations in the take-out of the fittings as well as the make-in of the sprinklers (as permitted by ANSI B1.20.1) may require that trial cuts of the connecting pipe be made.

Figure 1 - Style 65 one-piece flush escutcheon



Proceed with the assembly as follows:

Step 1: Insert the threaded end of the sprinkler through the escutcheon plate.

Step 2: Apply pipe thread sealant sparingly to the sprinkler threads only. Use of a non-hardening type of TEFLON based pipe thread sealant is recommended.

Step 3: Hand tighten the sprinkler with the attached escutcheon plate into the sprinkler fitting.

Step 4: Using the appropriate sprinkler wrench, tighten the sprinkler into the fitting.

REF: SET_082022_REVO

AQL PROTECCION

Carretera N-340 Km 1245, 3 Nave B-5 Polígono industrial El Pla 08750 Molins de Rei, Barcelona (España)
Tel. (+34) 936800376 * WhatsApp pedidos: 660781482 * www.aqlproteccion.com * aql@aqlproteccion.com

ANBER

Avda. de las Flores, 13-15 P.E. El Molino 28970 Humanes de Madrid, Madrid (España)
Tel. (+34) 916063711 * WhatsApp pedidos: 649787619 * www.anber.es * anber@anber.es

Style 401:

The pipe connected to the sprinkler fitting must be cut so that the escutcheon plate seating surface is at the proper nominal distance in front of the wall or below the ceiling.

Proceed with the assembly as follows:

Step 1: Separate the two pieces of the scutcheon plate and screw the cup onto the sprinkler until the plate is engaged onto the last thread of the sprinkler.

Step 2: Apply a brush-on pipe thread sealant sparingly to the sprinkler threads only. Use of a non-hardening type of TEFLON based pipe thread sealant is recommended.

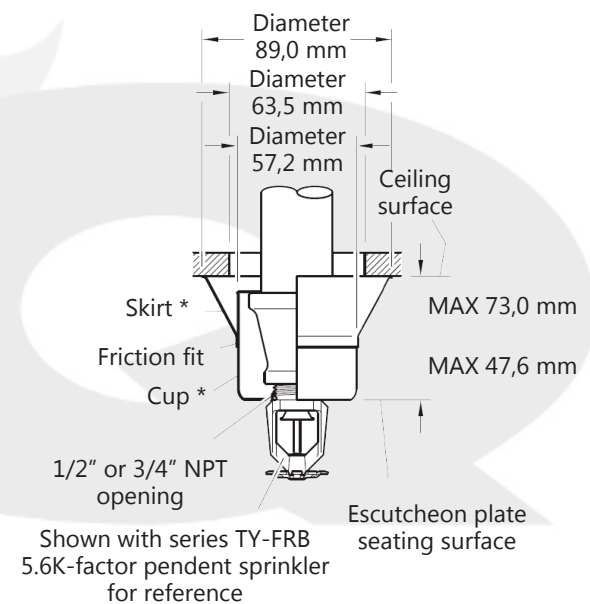
Step 3: Hand tighten the sprinkler with the attached escutcheon plate into the sprinkler fitting.

Step 4: Using the appropriate sprinkler wrench, tighten the sprinkler into the fitting.

Step 5: After a suspended ceiling has been installed or the finish coat has been applied to a wall or fixed ceiling (as appropriate), align the detents in the skirt over those in the cup and then slide the cup over the skirt until it comes in contact with the mounting surface. Do not push the skirt such that it will lift a ceiling tile out of its normal position.

Holding the skirt in contact with the mounting surface, rotate the skirt approximately 1/8-turn in relation to the cup creating a friction fit between the skirt detents and the cup wall, to hold the escutcheon plate firmly together.

Figure 2 - Style 401 two-piece deep adjustable escutcheon



CARE AND MAINTENANCE

The style 65 and 401 escutcheon plates must be maintained and serviced in accordance with this section. Any impairments must be immediately corrected.

The owner is responsible for the inspection, testing and maintenance of their fire protection system and devices in compliance with this document, as well as with the applicable standards of the National Fire Protection Association (e.g. NFPA 25), in addition to the standards of any authority having jurisdiction. Contact the installing contractor or product manufacturer with any questions.

It is recommended that automatic sprinkler systems be inspected, tested and maintained by a qualified inspection service in accordance with local requirements and/or national codes.

After placing a fire protection system in service, notify the proper authorities and advise those responsible for monitoring proprietary and/or central station alarms.

REF: SET_082022_REVO

AQL PROTECCION

Carretera N-340 Km 1245, 3 Nave B-5 Polígono industrial El Pla 08750 Molins de Rei, Barcelona (España)
Tel. (+34) 936800376 * WhatsApp pedidos: 660781482 * www.aqlproteccion.com * aql@aqlproteccion.com

ANBER

Avda. de las Flores, 13-15 P.E. El Molino 28970 Humanes de Madrid, Madrid (España)
Tel. (+34) 916063711 * WhatsApp pedidos: 649787619 * www.anber.es * anber@anber.es

ORDERING PROCEDURE

Contact your local distributor for availability. When placing an order, indicate the full product name and part number (P/N).

Style 65 one-piece flush escutcheon:

Specify: style 65 one-piece flush escutcheon, (specify thread size), (specify finish), P/N (specify):

1/2" NPT:

Chrome plated	1153
Signal White (RAL9003)	1174
Brass plated	1150

3/4" NPT:

Chrome plated	1152
Signal White (RAL9003)	1175
Brass plated	1184

Style 401 two-piece deep escutcheon:

The style 401 two-piece deep escutcheon is comprised of separately ordered cup and skirt components.

Cup:

Specify: style 401 two-piece deep escutcheon cup, (specify thread size), (specify finish), P/N (specify):

1/2" NPT:

Chrome plated	1192
Signal White (RAL9003)	1196
Brass plated	1194

3/4" NPT:

Chrome plated	1193
Signal White (RAL9003)	1197
Brass plated	1195

Skirt:

Specify: style 401 two-piece deep escutcheon skirt, (specify finish), P/N (specify):

Chrome plated	1198
Signal White (RAL9003)	1200
Brass plated	1199

REF: SET_082022_REVO

AQL PROTECCION

Carretera N-340 Km 1245, 3 Nave B-5 Polígono industrial El Pla 08750 Molins de Rei, Barcelona (España)
Tel. (+34) 936800376 * WhatsApp pedidos: 660781482 * www.aqlproteccion.com * aql@aqlproteccion.com

ANBER

Avda. de las Flores, 13-15 P.E. El Molino 28970 Humanes de Madrid, Madrid (España)
Tel. (+34) 916063711 * WhatsApp pedidos: 649787619 * www.anber.es * anber@anber.es

STYLE 60 TWO-PIECE FLUSH ESCUTCHEON 3/4" NPT



Style 60
Two-piece flush escutcheon

The style 60 two-piece flush escutcheon is used to improve the overall appearance of a sprinkler installation by concealing the clearance holes required for the connecting piping and fittings to the sprinkler. The scutcheon assembly is shown in figures 1 and 2.

The escutcheon is designed for use with the following sprinklers where the piping is installing above a ceiling:

- Series EC-11 and EC-14 pendent sprinklers.
- Series TY-L TY4280 8.0 K-factor stainless steel pendent sprinklers.

The separable two-piece design of style 60 allows installation of the sprinklers and pressure testing of the fire protection system/evaluation of leak tightness, prior to installation of a suspended ceiling or application of the finish coating to a fixed ceiling. It also permits the removal of suspended ceiling panels, for access to building service equipment, without having to first shut down the fire protection system and remove sprinklers.

Notice: the style 60 escutcheon described herein must be installed and maintained in compliance with this document, as well as with the applicable standards of the National Fire Protection Association (NFPA), in addition to the standards of any authorities having jurisdiction, such as FM Global. Failure to do so may impair the performance of these devices.

The owner is responsible for maintaining their fire protection system and devices in proper operating condition. Contact the installing contractor or product manufacturer with any questions.

In all cases, the appropriate NFPA or FM Global installation standard, or other applicable standard, must be referenced to ensure applicability and to obtain complete installation guidelines. The general guidelines in this data sheet are not intended to provide complete installation criteria.

TECHNICAL DATA

Approvals:

UL listed for use with series EC-11 and EC-14 pendent sprinklers.

Finishes:

Chrome, Signal white or Brass.

Material:

Carbon steel.

REF: SET_082022_REVO

AQL PROTECCION

Carretera N-340 Km 1245, 3 Nave B-5 Polígono industrial El Pla 08750 Molins de Rei, Barcelona (España)
Tel. (+34) 936800376 * WhatsApp pedidos: 660781482 * www.aqlproteccion.com * aql@aqlproteccion.com

ANBER

Avda. de las Flores, 13-15 P.E. El Molino 28970 Humanes de Madrid, Madrid (España)
Tel. (+34) 916063711 * WhatsApp pedidos: 649787619 * www.anber.es * anber@anber.es

INSTALLATION

The style 60 two-piece flush escutcheon must be installed in accordance with this section.

General instructions:

A leak-tight 3/4" NPT sprinkler joint should be obtained with a torque of a 10 to 20ft-lb (13,6N·m to 27,1N·m). Higher levels of torque may distort the sprinkler orifice seat with consequent leakage.

The face of the sprinkler fitting must be positioned from 9,5mm above, to 3,2mm below, the level of the finished ceiling mounting surface. This ensures that the installed sprinkler escutcheon plate seating surface is located within the nominal range to allow proper installation of the escutcheon closure.

Do not attempt to correct for insufficient installation and adjustment of the escutcheon closure by under- or over-tightening the sprinkler. Readjust the position of the sprinkler fitting to suit.

Installing the escutcheon:

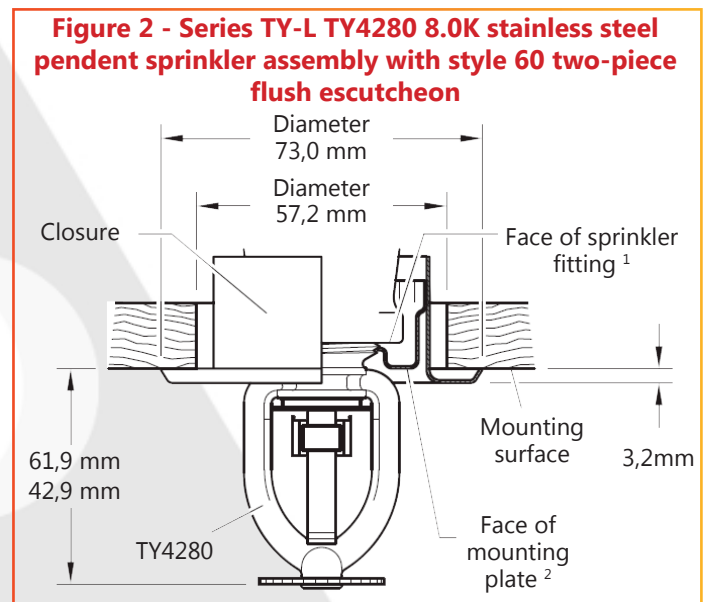
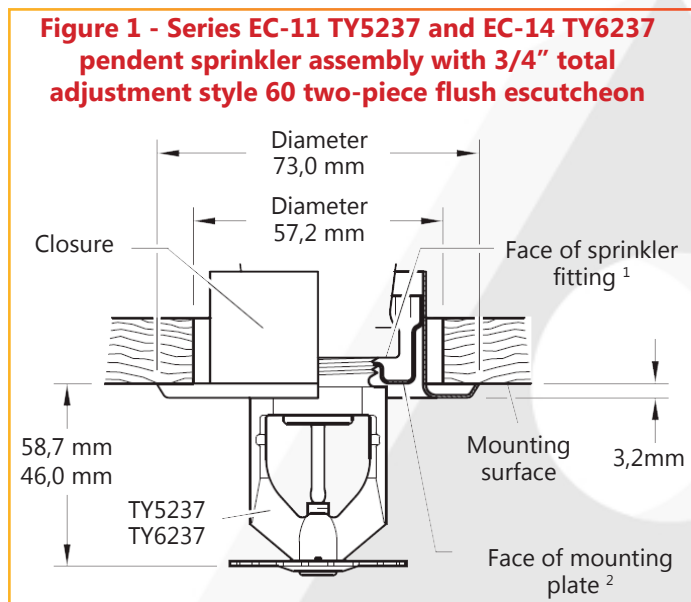
Step 1: Orient the flat face of the escutcheon mounting plate parallel with open end of the sprinkler threads.

Step 2: Engage the sprinkler threads with the mounting plate threads, and rotate the sprinkler until the mounting plate is flush with the sprinkler frame arms.

Step 3: With thread sealant applied to the sprinkler pipe threads, hand tighten the sprinkler into the sprinkler fitting.

Step 4: Using the appropriate sprinkler wrench, apply the wrench to the designated sprinkler wrenching area, and tighten sprinkler into the sprinkler fitting.

Step 5: When the suspended ceiling panel is installed or the finish coat is applied to the fixed ceiling, slide the escutcheon closure over the sprinkler and the mounting plate, pushing until flush against the mounting surface. If installed beneath a suspended ceiling do not push the escutcheon closure beyond the point of contact with the mounting surface and lift ceiling panel above normal position.



1. Face of sprinkler fitting: 9,5mm above to 3,2mm below mounting surface.
2. Face of mounting plate: 6,4mm above to 12,7mm below mounting surface.
3. Install with class 150 malleable iron reducing sprinkler fitting to ensure compatibility with the style 60 flush escutcheon.

REF: SET_082022_REV0

AQL PROTECCION

Carretera N-340 Km 1245, 3 Nave B-5 Polígono industrial El Pla 08750 Molins de Rei, Barcelona (España)
Tel. (+34) 936800376 * WhatsApp pedidos: 660781482 * www.aqlproteccion.com * aql@aqlproteccion.com

ANBER

Avda. de las Flores, 13-15 P.E. El Molino 28970 Humanes de Madrid, Madrid (España)
Tel. (+34) 916063711 * WhatsApp pedidos: 649787619 * www.anber.es * anber@anber.es

CARE AND MAINTENANCE

The following inspection procedure must be performed as indicated, in addition to any specific requirements of the National Fire Protection Association (NFPA). Any impairments must be immediately corrected.

The owner is responsible for the inspection, testing and maintenance of their fire protection system and devices in compliance with this document, as well as with the applicable standards of the National Fire Protection Association such as NFPA 25, in addition to the standards of any authority having jurisdiction. The installing contractor or product manufacturer should be contracted relative to any questions.

It is recommended that automatic sprinkler systems be inspected, tested and maintained by a qualified inspection service in accordance with local requirements and/or national codes.

After placing a fire protection system in service, notify the proper authorities and advise those responsible for monitoring proprietary and/or central station alarms.

ORDERING PROCEDURE

Contact your local distributor for availability. When placing an order, indicate the full product name and part number (P/N).

Style 60 two-piece flush escutcheon:

Specify: style 60 two-piece flush escutcheon with 3/4" NPT, (specify) finish, P/N (specify):

Chrome	208102
Signal White (RAL9003)	208104
Brass	208107
Signal White (RAL9003) over Stainless Steel	208108
Stainless Steel	208109

REF: SET_082022_REVO

AQL PROTECCION

Carretera N-340 Km 1245, 3 Nave B-5 Polígono industrial El Pla 08750 Molins de Rei, Barcelona (España)
Tel. (+34) 936800376 * WhatsApp pedidos: 660781482 * www.aqlproteccion.com * aql@aqlproteccion.com

ANBER

Avda. de las Flores, 13-15 P.E. El Molino 28970 Humanes de Madrid, Madrid (España)
Tel. (+34) 916063711 * WhatsApp pedidos: 649787619 * www.anber.es * anber@anber.es